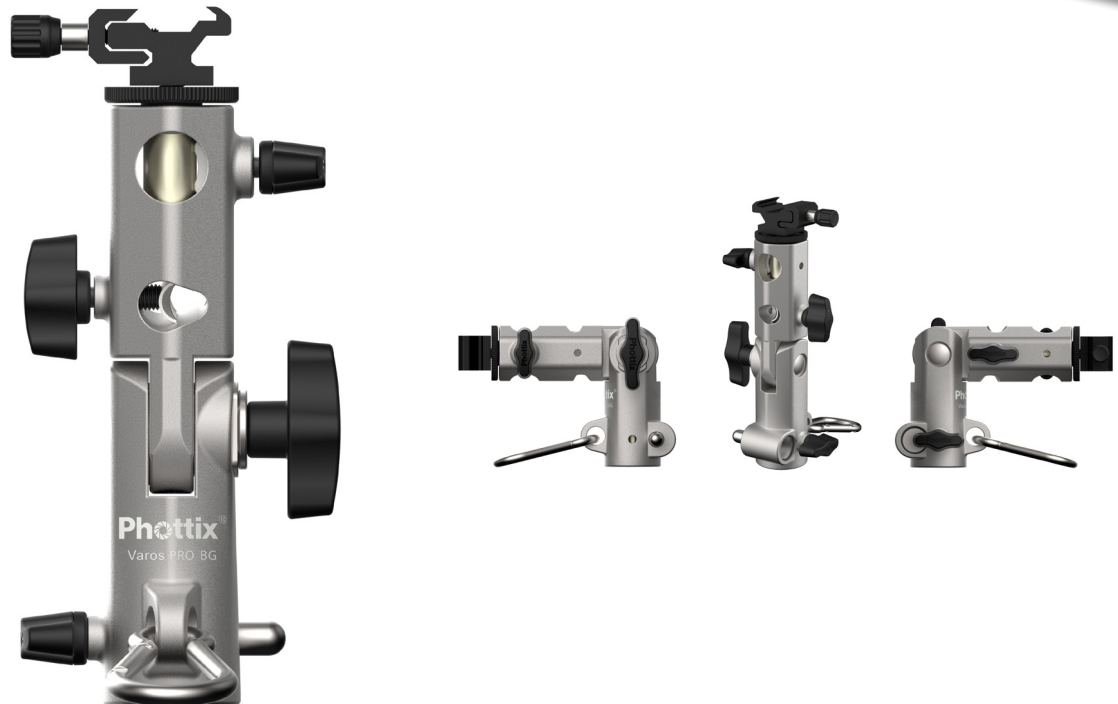


## Varos Pro BG

Multi-function Flash Shoe  
Umbrella Holder

PH87198



The patented Phottix Varos Pro BG Umbrella Holder was designed by professional photographers to mount a hot shoe flash and umbrella to a light stand or tripod. Perfect on location or in the studio, umbrellas provide soft light, great for portraits or special effect. The new Varos Pro series is 300% stronger than previous versions and features Aluminum alloy body with a metal coldshoe, 3/8" and 1/4" female threaded insert, male 3/8" and 1/4"s crews included.

The Teardrop-shaped umbrella mount accepts umbrella with shafts 7-10mm and the 8 degrees slanted umbrella mount allows more light to hit the center of the umbrella. The Patented umbrella clamp has been redesigned to offer 300% more locking force while keeping umbrella shafts more secure and damage free.

The redesigned Phottix Varos Pro BG's patented locking mechanism to hold the bottom 3/8" and 1/4" female threaded insert security with 300% more locking force. The patented 180 degree tilting mechanism supports up to 30 kg. New locking features holds bottom lugs secure until locking button is released. Included is a hanging hole and clip included for use with a counter weight or other accessories.

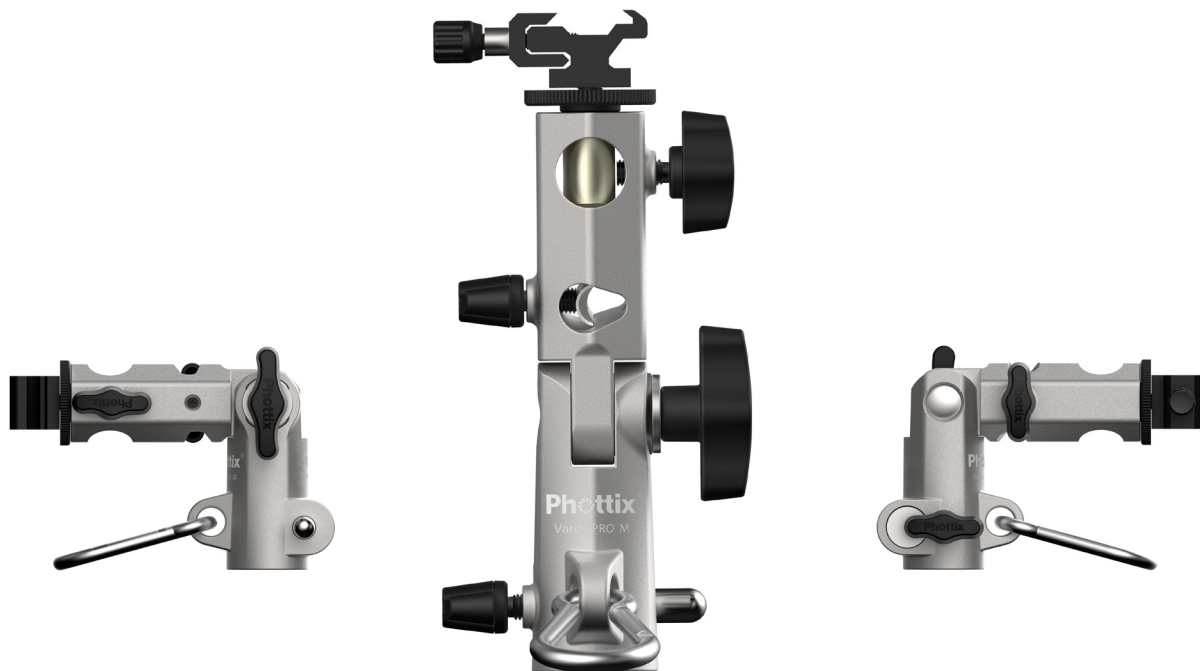


[www.phottix.com](http://www.phottix.com)

## Varos Pro M

Multi-function Flash Shoe  
Umbrella Holder

PH87199



The patented Phottix Varos Pro M Umbrella Holder was designed by professional photographers to mount a hot shoe flash and umbrella to a light stand or tripod. Perfect on location or in the studio, umbrellas provide soft light, great for portraits or special effect. The new Varos Pro is 300% stronger than previous versions and features Aluminum alloy body with a metal coldshoe, 3/8" and 1/4" female threaded insert, male 3/8" and 1/4"s crews included.

The Teardrop-shaped umbrella mount accepts umbrella with shafts 7-10mm and the 8 degrees slanted umbrella mount allows more light to hit the center of the umbrella. The Patented umbrella clamp has been redesigned to offer 300% more locking force while keeping umbrella shafts more secure and damage free.

The redesigned patented locking mechanism to hold the bottom 3/8" and 1/4" female threaded insert security with 300% more locking force. The patented 180 degree tilting mechanism supports up to 28 kg. New locking features holds bottom lugs secure until locking button is released. Included is a hanging hole and clip included for use with a counter weight or other accessories.



[www.phottix.com](http://www.phottix.com)

## Varos Pro S

Multi-function Flash Shoe  
Umbrella Holder

PH87200



The patented Phottix Varos Pro S Umbrella Holder was designed by professional photographers to mount a hot shoe flash and umbrella to a light stand or tripod. Perfect on location or in the studio, umbrellas provide soft light, great for portraits or special effect. The new Varos Pro is 300% stronger than previous versions and features Aluminum alloy body with a metal coldshoe, 3/8" and 1/4" female threaded insert, male 3/8" and 1/4" screws included.

The Teardrop-shaped umbrella mount accepts umbrella with shafts 7-10mm and the 8 degrees slanted umbrella mount allows more light to hit the center of the umbrella. The Patented umbrella clamp has been redesigned to offer 300% more locking force while keeping umbrella shafts more secure and damage free.

The redesigned patented locking mechanism to hold the bottom 3/8" and 1/4" female threaded insert security with 300% more locking force. The patented 180 degree tilting mechanism supports up to 25 kg. New locking features holds bottom lugs secure until locking button is released. Included is a hanging hole and clip included for use with a counter weight or other accessories.



[www.phottix.com](http://www.phottix.com)